

## Aluminum Ground Clamps

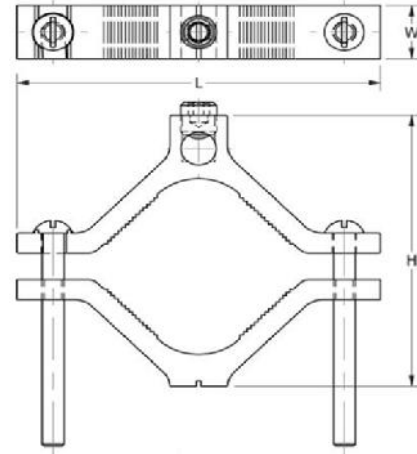
Dual rated ground clamp that grounds aluminum or copper to water pipe, galvanized pipe or steel conduit. They are constructed from high-strength, extruded aluminum alloy and are plated to provide low-contact resistance.

**Drawn - SD**

**Approved - KM**

**Material - Aluminum**

**Title - Aluminum Ground Clamps**



Part Number	Wire Range	Water Pipe Size	L	W	H
GCA-1	1/0-14	1/2-1	2.260	0.685	1.670
GCA-2	250-6	1 1/4-2	3.760	0.828	2.930
GCA-4	250-6	2 1/2-4	6.125	0.996	4.630